

TECHNIQUES AND APPLICATIONS

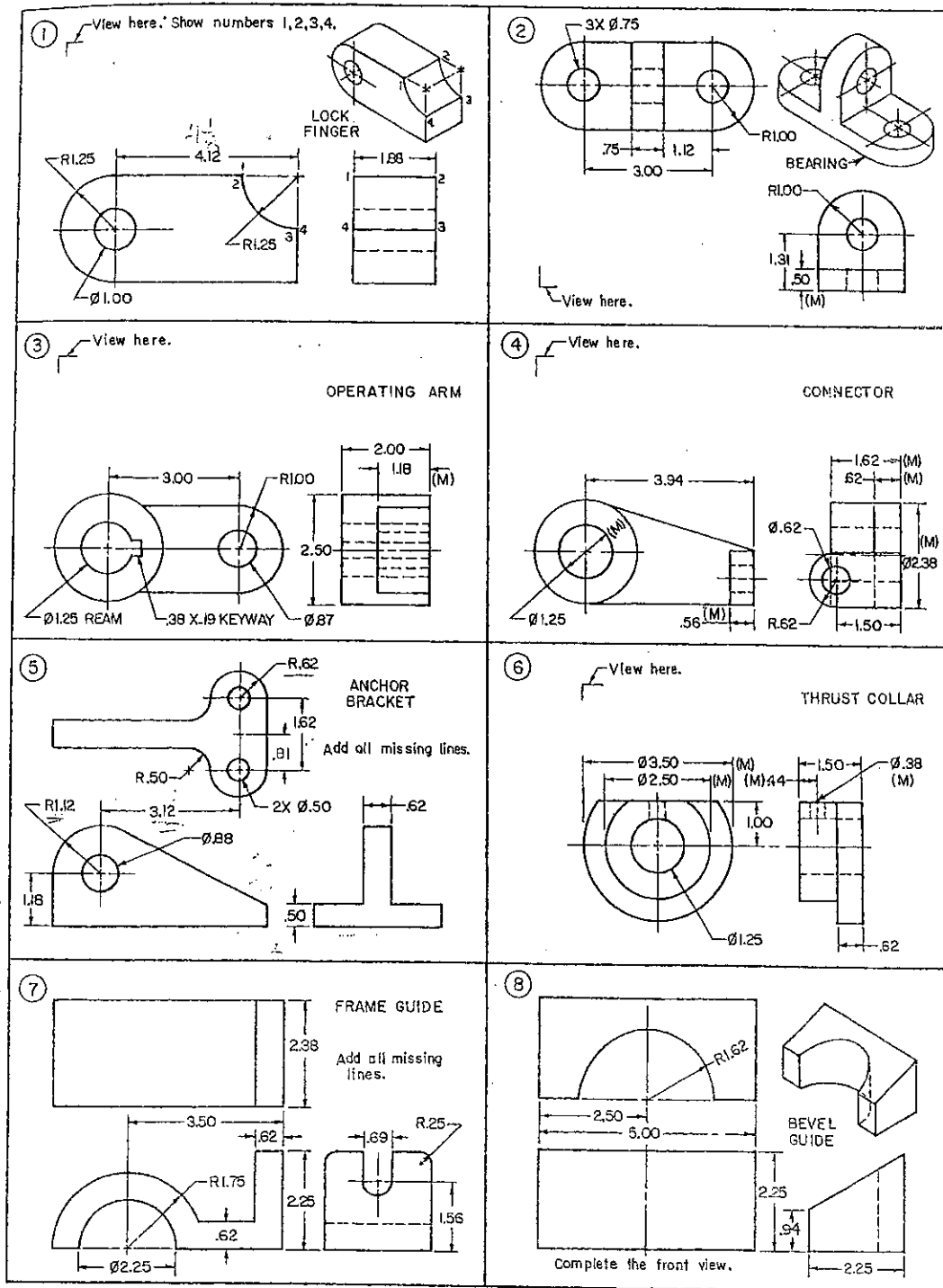


Fig. 8-28. Third-view problems. See instructions on page 158. Omit pictorial drawings and instructional notes. Move dimensions marked (M) to the new views, and move titles to title strip. Use Layout C in the Appendix for each problem.