

Fig. 7-32. Bearing Plate.*

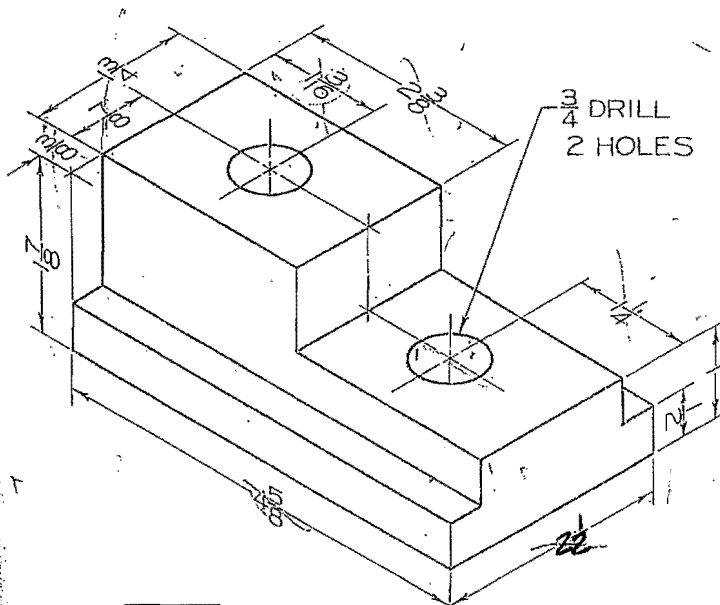


Fig. 7-34. Cutter Holder Shoe.*

1/4 DRILL